



BATTISTELLA®

MACCHINE PER STIRARE
IRONING EQUIPMENT

Instructions and maintenance

NETTUNO '98

NETTUNO '98 MAXI

NETTUNO BLOWING mod. 2005

NETTUNO MAXI BLOWING mod. 2005

BATTISTELLA B.G. S.r.l.

Via Bessica, 219 36028 Rossano Veneto (VI) ITALY ☎ : +39-0424-549027
📠 : +39-0424-549007 🌐 : www.battistellag.it ✉ : info@battistellag.it

This manual is property of BATTISTELLA B.G. S.r.l. We reserve the right to make changes without notice. All rights reserved.

INDEX

1. SPECIFICATIONS	2
2. IMPORTANT	3
3. OPENING OF PACKAGE.....	3
4. CONNECTION	3
5. STARTING	4
6. GENERAL INSTRUCTIONS	4
7. IRONING OPERATION	4
8. ELECTRICAL RISKS	5
9. MECHANICAL RISKS.....	5
10. THERMIC RISKS	5
11. INTERVENTIONS AND SMALL REPAIRS	5
12. PACKING.....	6
13. TRANSPORT	6
14. WARRANTY	6
15. DISPOSAL	6

INSTRUCTIONS AND MAINTENANCE

NETTUNO

Before starting the machine, carefully read this manual and follow the instructions.

Never use the product in any way other than that indicated in this manual.

1. SPECIFICATIONS

MODEL:	NETTUNO	NETTUNO MAXI	NETTUNO BLOWING	NETTUNO MAXI BLOWING
POWER SUPPLY:	230 V-50 Hz	230 V-50 Hz	230 V-50 Hz	230 V-50 Hz
TOTAL INSTALLED POWER:	1400 W	1835 W	1566 W	2001 W
BOARD POWER:	800 W	800 W	800 W	800 W
SUCTION POWER:	0,5 Hp	0,75 Hp	0,5 Hp	0,75 Hp
BLOWING POWER:	-	-	0,2 Hp	0,2 Hp
WEIGHT:	60 kg.	63 Kg.	69 kg.	72 Kg.
OVERALL DIMENSIONS (ALL MODELS):	44x140x93 h. cm			
IRONING ARM POWER (upon request):	150 W	150 W	150 W	150 W

MADE IN ITALY

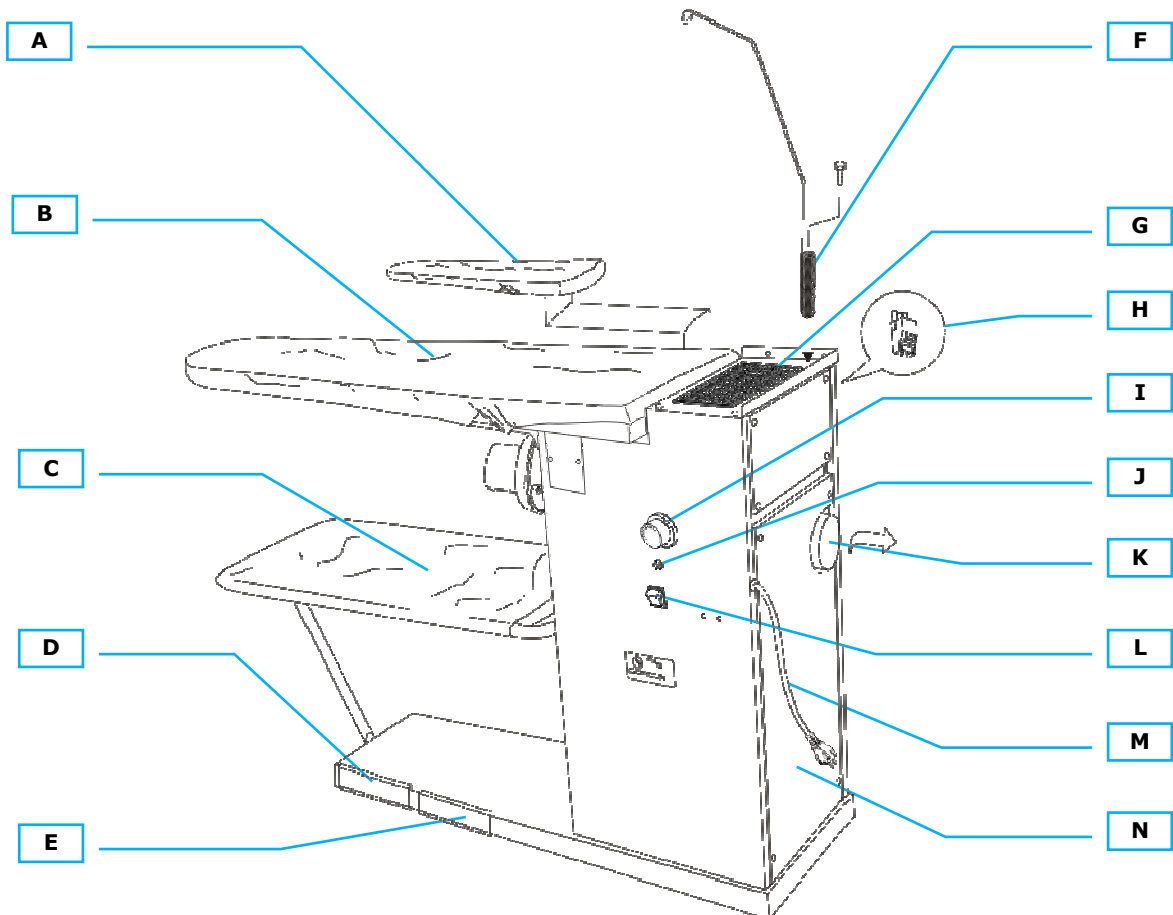


Fig. 1



LEGEND			
A	Ironing arm (upon request)	H	Ironing arm socket
B	Cover (Prontotop)	I	Board thermostat
C	Linen support	J	Pilot lamp
D	Vacuum pedal	K	Air discharge
E	Blowing pedal (blowing model)	L	Main switch
F	Cable support (upon request)	M	Electric cable with plug
G	Iron rest (upon request)	N	Side panel

2. IMPORTANT


The operator must pay attention to the instructions written in this manual to better use and preserve the machine and avoid injuries to people or damage to things.

This ironing board is not suitable for people (children included) with physical or mental handicaps or inexperienced persons, unless they are instructed by a person who takes the responsibility for their safety. Children must not play with the ironing board.

Labels have been put on some parts of the machine in order to identify the crucial points. The meanings of the stickers are as shown below:

	Hot surface. Accidental burns. Pay attention.
	High voltage. Electrocution risk. Pay attention not to touch high voltage parts. Disconnect the machine from the power grid before removing the protection panels.

3. OPENING OF PACKAGE

1. Open the box containing the machine from upper side marked as ALTO , take the instructions manual and read carefully (carefully guard this booklet for further consultation).
2. Remove the ironing board from the box.
3. Remove the protection film (nylon) from the metal iron rest.
4. For models equipped with sleeve ironing arm (fig. 1-A), insert the arm and fix it by screwing the respective knob. Insert the plug of the arm in the specific socket (fig. 1-H).

4. CONNECTION

Connect the machine to a protected socket with earth protector switch, with observance of the law in force and a voltage suitable to the ironing board.

Be sure the voltage and power frequency correspond to what is written on the label placed on the machine.

It is compulsory to connect the equipment to a good ground wire.

5. STARTING

1. Turn on the main switch (fig. 1-L), adjust the thermostat knob on 80/90° C (fig. 1-I): when the board pilot lamp switches off (fig. 1-J), the board is ready to be used for ironing.

Every time the board cools down, the pilot lamp switches on again.

6. GENERAL INSTRUCTIONS

1. Avoid connecting the device to multiple sockets and/or extensions which are not suitable to its power.
2. Always keep children away from the ironing board, both when it is on and off.
3. Place the equipment on a steady surface indoor with a temperature between +10°C and +40°C. Do not place it outside or expose it to the action of the atmospheric agents.
4. The operator must never leave the ironing board unattended when plugged into the mains.
5. When in use, do not bring it near thermo-labile or inflammable parts.
6. Always switch off the machine by using the specific switch before disconnecting it from the electricity grid.
7. Always disconnect the plug from the socket when the equipment is not in use and before any maintenance or cleaning operation.
8. Keep the electric wire away from hot surfaces and be careful not to crush it under doors or to step on it.
9. Never use the ironing board without the cover (Prontotop) properly positioned.
10. Do not sit on the garment catch tray or on the board nor lean against the sleeve arm: the ironing board has been specifically designed for ironing of garments.
11. Never leave garments on the board when it is switched on and unattended because they might get spoilt or even burnt.
12. Never leave the iron on the board or on the garments when it is switched on.
13. Do not place the iron directly on the metal part of the iron rest. Always place the iron on the proper rubber rest.

7. IRONING OPERATION

The vacuum of the ironing board helps keep the garments stretched and eliminates any humidity during ironing, making this operation easier and faster.

To iron, run the iron on the garments, pressing the micro-switch of the iron at intervals so that steam comes out and at the same time press the vacuum pedal. It is recommended to vacuum frequently and to keep the vacuum pedal pressed for a few extra seconds after the micro switch of the iron has been released. This in order to avoid forming of stagnation on ironing board and to allow the garment to dry.

The ironing board mod. NETTUNO MAXI is equipped with more powerful vacuum.

NETTUNO BLOWING is equipped also with blowing function for the ironing of delicate and light clothes. This function allows the garments to be ironed only with steam, as it lifts them from the board and avoids them from being pressed by the iron's weight.

8. ELECTRICAL RISKS

The following situations are considered to be dangerous for the operator:

1. when the earth protector switch is activated;
2. using the ironing board during thunderstorms;
3. using the ironing board without proper protection for feet (without shoes...) or with wet hands or feet;
4. using the ironing board with damaged electric cables;
5. using the ironing board when the electric cable touches hot parts of the machine;
6. when the machine is not connected to a good ground wire with observance of the law in force.

9. MECHANICAL RISKS

The following situations are considered to be dangerous for the operator:

1. using the ironing board for different purposes other than ironing.

10. THERMIC RISKS

The machine can become extremely hot: use it very carefully and disconnect the plug when not in use.

It is recommended to proceed with the cleaning of the machine only when it is cold.

11. INTERVENTIONS AND SMALL REPAIRS

1. It is recommended to replace the cover (Prontotop):
 - every 320 hrs. of operation or maximum every 3 months;
 - replace it also if the vacuum of the board is unsatisfactory or if stains appear on it. The stains can appear also if the operator uses too much steam and/or doesn't use vacuum enough (in this case decrease the steam flow and use more vacuum). The replacement of the cover is to be done with the ironing board switched off and cold.
N.B.: the Prontotop can be washed 1 or 2 times.
2. Immediately replace the electric wire when it is damaged. The wire is supplied by the manufacturer or authorized service centres. Do not use the equipment with a damaged electric wire.
3. Clean the air vacuum/exhaust duct, the fan of the vacuum/blowing motor and any air intake from accumulations of dust which could reduce the vacuum/blowing performance.

12. PACKING

The ironing board may be packed with cellophane or in a cardboard box which cannot be turned upside down.

As this is not a stiff package it is not shock-resistant. We therefore suggest to handle the box with utmost care and not to use it as a stool or support.

Always keep children away from the parts of the packing (plastic bags, boxes, polystyrene, etc...) as they are a potential danger.

13. TRANSPORT

Transport the packed machine to the installation point and then unpack it. The equipment must be transported only by means of fork lifts or pallet trucks.

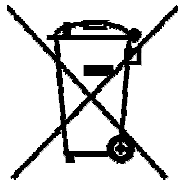
It is recommended not to place the equipment too close to walls and/or other machines, in order to facilitate use and ensure perfect maintenance.

14. WARRANTY

Warranty does not apply to damage resulting from:

- tampering with the machine or repairs carried out by non-authorized personnel;
- total or partial inobservance of the instructions contained in this manual;
- improper maintenance or wrong assembly/connection;
- use of non-original spare parts;
- use of the machine for purposes other than those written in this manual.

15. DISPOSAL



According to the directive 2012/19/UE on waste of electrical and electronic equipment, do not treat this product as urban waste.

This appliance is marked according to the directive 2011/65/UE on restriction of use of specific dangerous substances in electrical and electronic equipment.

This symbol on the product or on its packaging indicates that this product shall not be treated as urban waste. Instead it shall be handed over to the applicable collection point for the recycling of electrical and electronic equipment.

Ensuring this product is disposed of correctly will help prevent potential negative consequences for the environment and human health which could otherwise be caused by inappropriate waste handling of this product. The recycling of materials will help to conserve natural resources.

The abusive disposal of the product by the user may lead to administrative sanctions.

Every purchase of BATTISTELLA products in Italy is subject to the following limitations:

- ❖ **Battistella B.G. S.r.l.** guarantees that the machine, correctly assembled and used, will operate in substantial compliance with the manual. Any implied warranty on the machine is limited to the legal terms from the date of purchase.
- ❖ **Exclusion of liability for indirect damage:** In no case **Battistella B.G. S.r.l.** will be liable for damages (including without limitation, indirect damage due to loss or loss of earnings, business interruption, or other economic losses) arising from the use of Battistella machine, even in the case that **Battistella B.G. S.r.l.** has been warned regarding the possibility of such damages.

For further questions and specific requests regarding this manual contact **Battistella B.G. S.r.l.** or contact the retailer responsible for selling our products.